

SUGGESTED PARTIAL EQUIPMENT LIST

WINTER SNOW CAMPOUT

1. Clothing:

Wool or synthetic fabric:

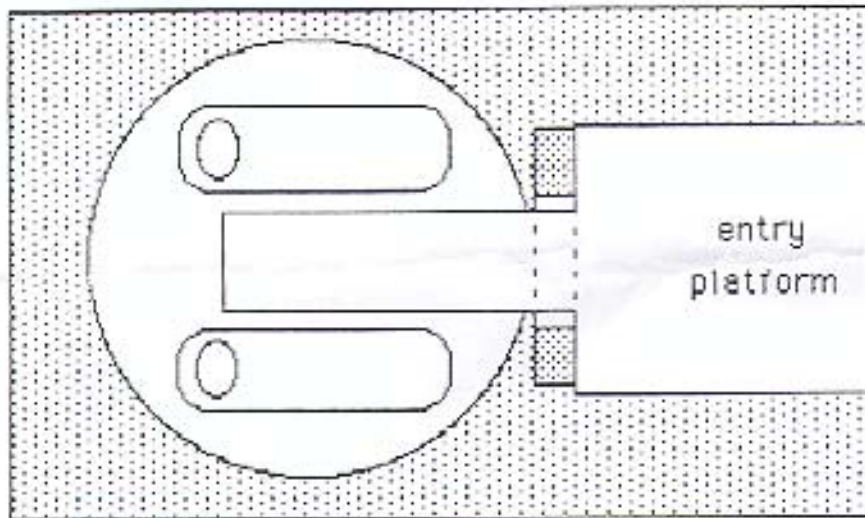
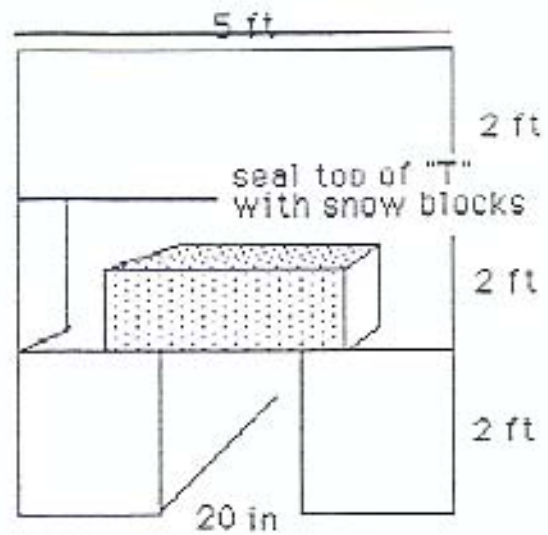
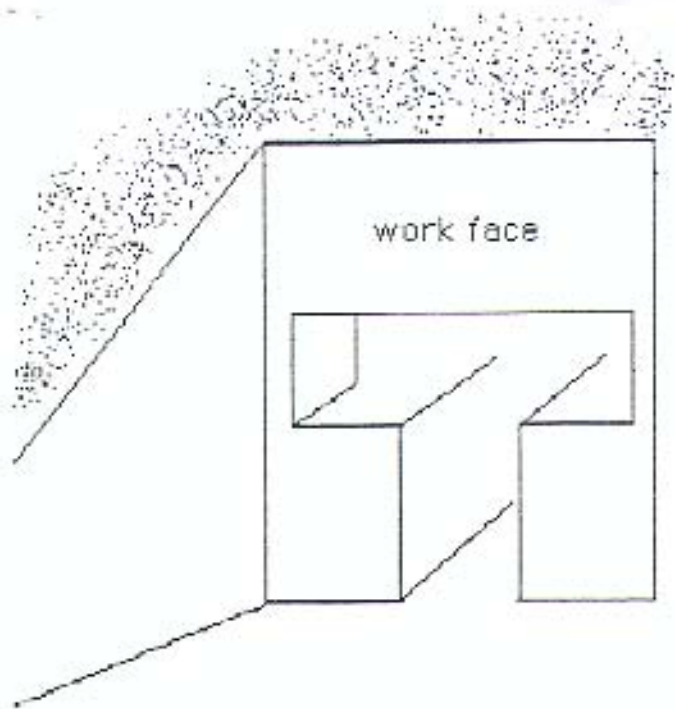
- Long underwear
- Socks (two changes minimum)
- Wool shirt
- Wool sweater
- Wool pants
- Wind pants/rain pants/overpants
- Pullover stocking hats to cover ears (two hats)
- Windproof shell (with hood)
- One Quilted parka with hood - does not have to be waterproof
- Gaiters (one pair)
- Boots (one pair for cross-country skis or snow shoes and one extra pair)
- Complete extra set of clothing (socks, underwear, shirt and sweater)
- Wool mittens
- Synthetic gloves or mittens
- Overmits
- Balaclava or scarf

2. Miscellaneous Equipment:

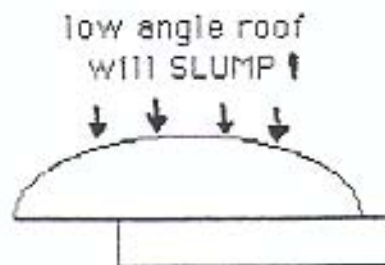
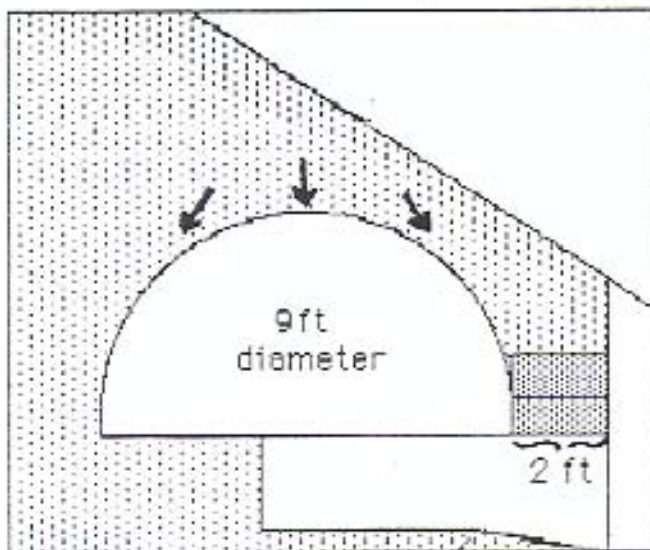
- Cross-country skis with poles or snow-shoes with poles
- Goggles/sunglasses
- Rubber Gloves for digging (poly pro liners recommended)
- Pullover booties for sleeping
- Three garbage bags for clothing and gear
- Extra batteries for flashlights
- Candles for snow shelter
- Chapstick
- Hand lotion
- Snow park permit for driver

- Sleeping bag
- Insulated pad -full length
- Full length tarp for under pad

- Excavation shovel (e.g. folding GI shovel)
- Extra fuel for stove for melting snow
- Insulated base/pad for stove
- Large pot for melting snow - 2 qt. minimum
- Tent
- Tarp for shelter and rigging line
- Backpack
- Small rucksack for touring

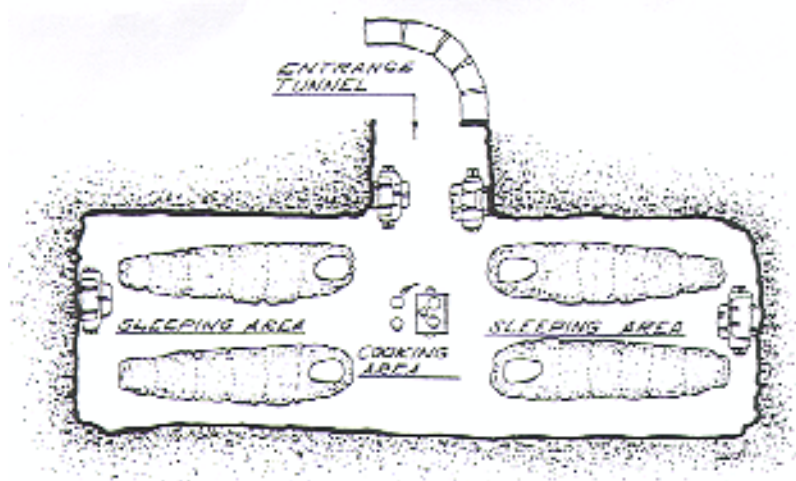
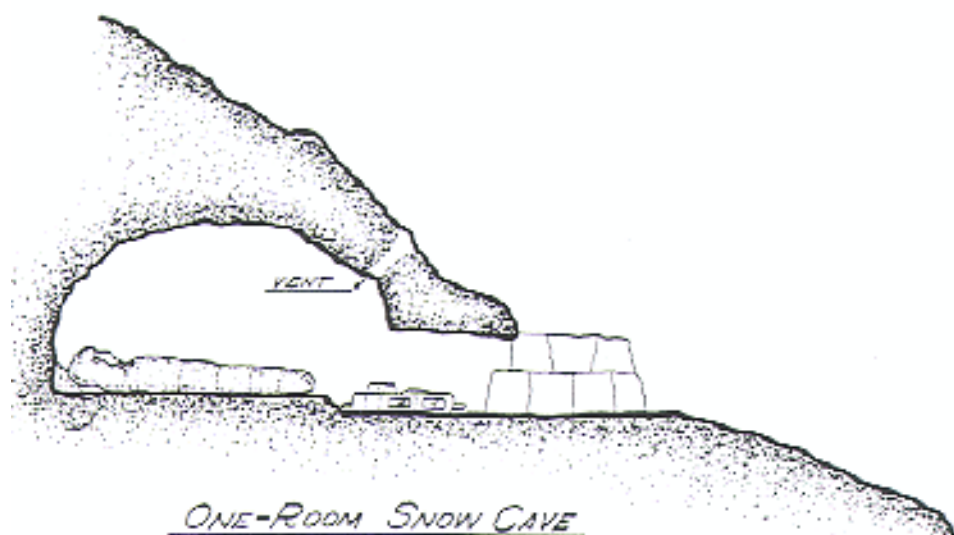


1. Dig entry platform into slope
2. Push a "T" shaped entry passage into the work face.
3. Hollow out the cave, level sleeping platforms.
4. Cut snow blocks with saw, and seal up top of "T", lintel first.



the Classic
Snow Cave

(2 - 4 hrs)



Snow is extremely effective insulation, and a shelter made out of it can be snug and warm despite frigid temperatures outside. Size can be varied to suit the number of campers.